



---

VAN

---

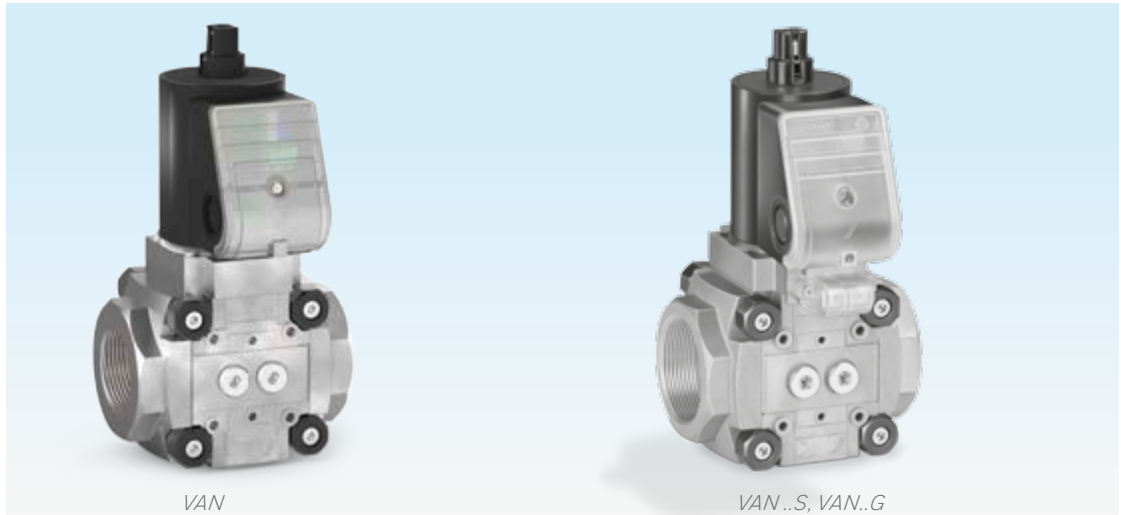


ERC CE

## Magnetic relief valve

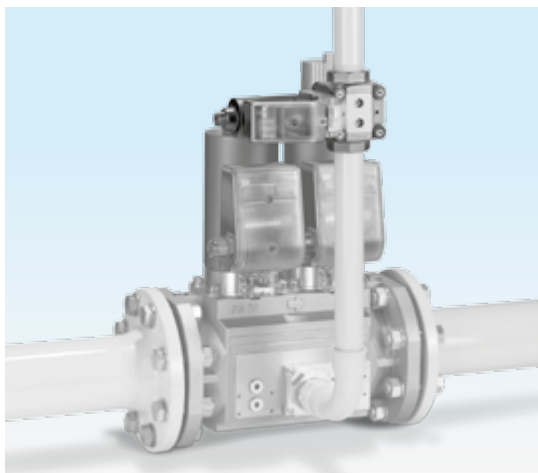
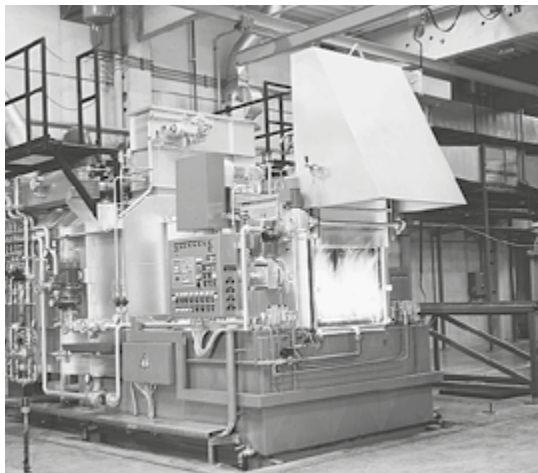
- Open when de-energized
- Connection flanges for pipes up to DN 50
- Suitable for a maximum inlet pressure of 500 mbar (7 psig)
- Space-saving installation thanks to compact dimensions
- Quick closing, quick opening
- Check indication by blue LED
- Closed position switch with visual position indicator

## Application



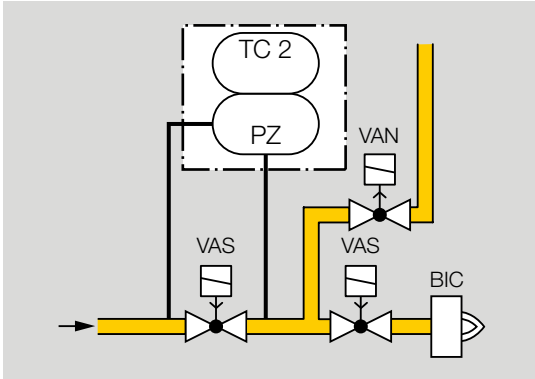
The magnetic relief valve VAN is designed to monitor gas valves for tightness used in conjunction with a visual discharge unit. It enables the purging of excess or leakage gas. The magnetic relief valve VAN is open when it is de-energized.

The VAN..S, VAN..G is fitted with a closed position switch with a visual position indicator. It is indicated whether the magnetic relief valve is open or closed.



## Application examples

### Relief valve with two gas solenoid valves and tightness control

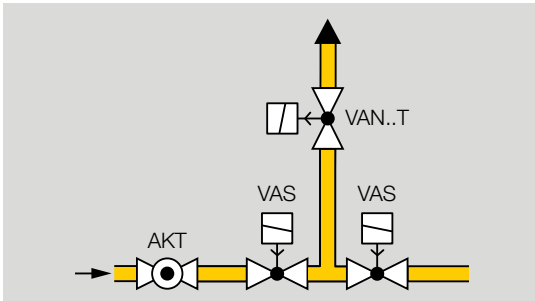


Tightness control TC 2 checks the gas solenoid valves VAS and the magnetic relief valve VAN for tightness.

If the gas solenoid valves and the magnetic relief valve are tight, the tightness control forwards an enable signal to the automatic burner control unit. The pilot valve output of the automatic burner control unit opens the gas solenoid valves VAS simultaneously. The burner starts.

In accordance with the Russian safety regulations PB 12-529-03, installations with a capacity of  $\geq 1.2$  MW must be fitted with a relief valve and tightness control.

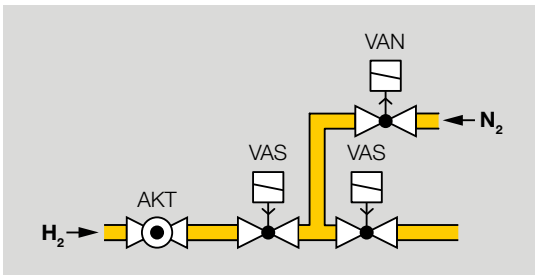
### Relief valve with 2 gas solenoid valves



A valve, open when de-energized, is designed to purge gas to a safe venting point.

For the NAFTA market, this applies for capacities of  $\geq 117$  kW (400,000 BTU/h).

### Inert gas atmosphere for annealing processes



Whenever no hydrogen is needed for the annealing process (e.g. in the case of an annealing bell), the gas solenoid valves VAS and the magnetic relief valve VAN are disconnected from the electrical power supply. The VAN opens. Under high pressure, nitrogen can now get between the two gas solenoid valves VAS. This prevents hydrogen from flowing into the furnace.

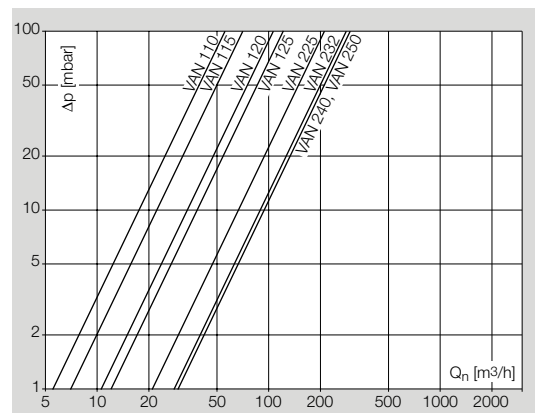
## Replacement possibilities

VAN 15 – 40/32 is to be replaced by VAN 110 – 250.

## Type code

Code	Description
VAN	Magnetic relief valve
1	Size: 1
2	2
T	T-product
10	Nominal diameter [DN]: 10
15	15
20	20
25	25
32	32
40	40
50	50
R	Rp internal thread
N	NPT internal thread
/N	Quick opening, quick closing
K	Mains voltage: 24 V DC
P	100 V AC, 50/60 Hz
Q	120 V AC, 50/60 Hz
Y	200 V AC, 50/60 Hz
W	230 V AC, 50/60 Hz
S	Closed position switch: with visual position indicator
G	with visual position indicator and gold contacts
R	Viewing side: right
L	left
3	Electrical connection: M20 cable gland

## Flow rate



## Technical data

Gas types: natural gas, LPG (gaseous), biogas (max. 0.1 %-by-vol. H<sub>2</sub>S) or air; other gases on request. The gas must be dry in all temperature conditions and must not contain condensate.

Max. inlet pressure  $p_u$ : 500 mbar (7 psig).

Leakage rate:  $\leq 500 \text{ cm}^3/\text{h}$  (0.132 gal/h).

Closing time: quick closing:  $< 1 \text{ s}$ .

Ambient temperature:

-20 to +50°C (-4 to +122°F), for short periods up to +60°C (+140°F),

storage temperature: 0 – 60°C (32 – 140°F), no condensation permitted.

Long-term use in the upper ambient temperature range accelerates the ageing of the elastomer materials and reduces the service life (please contact manufacturer).

Safety valve:

Class A, Group 2 pursuant to EN 13611 and EN 161.

Mains voltage:

230 V AC, +10/-15%, 50/60 Hz;

200 V AC, +10/-15%, 50/60 Hz;

120 V AC, +10/-15%, 50/60 Hz;

100 V AC, +10/-15%, 50/60 Hz;

24 V DC,  $\pm 20\%$ .

Cable gland: M20 x 1.5.

Electrical connection: cable with max. 2.5 mm<sup>2</sup> (AWG 12) or plug with socket to EN 175301-803.

Power consumption:

Type	24 V DC [W]	100 V AC [W]	120 V AC [W]	200 V AC [W]	230 V AC [W]
VAN 1	25	25 (26 VA)	25 (26 VA)	25 (26 VA)	25 (26 VA)
VAN 2	36	36 (40 VA)	40 (44 VA)	40 (44 VA)	40 (44 VA)

Enclosure: IP 65.

Duty cycle: 100%.

Power factor of the solenoid coil:  $\cos \phi = 1$ .

Switching frequency: any.

Valve housing: aluminium.

Valve seal: NBR.

Connection flanges with internal thread: Rp to ISO 7-1, NPT to ANSI/ASME.

Closed position switch contact rating:

Type	Voltage	Min. current (resistive load)	Max. current (resistive load)
VAN..S	100 – 250 V AC, 50/60 Hz	100 mA	3 A
VAN..G	12 – 30 V DC	2 mA	0.1 A

Switching frequency: 5 x per minute.

Switching current [A]	Switching cycles*	
	$\cos \phi = 1$	$\cos \phi = 0.6$
0.1	500,000	500,000
0.5	300,000	250,000
1	200,000	100,000
3	100,000	-

\* Limited to max. 200,000 cycles for heating systems

## Contact

www.kromschroeder.com → Process Heat → Sales

Elster GmbH

Strothweg 1 · 49504 Lotte (Büren)

Germany

Tel. +49 541 1214-0

hts.lotte@honeywell.com

www.kromschroeder.com

**Technical  
Information bulletin  
for this product**

www.docuthek.com

Search term: VAN

We reserve the right to make technical modifications in the interests of progress.  
Copyright © 2017 Elster GmbH  
All rights reserved.

**Honeywell**